

Room Temperature Sensor

⚙️ Description:

Omicron Sensing Inc manufactures temperature sensors for the air conditioning industry.

This document shows the enclosures and temperature vs resistance curves for the standard sensors.



⚙️ Features:

The sensors employ precision interchangeable thermistors and RTD which are compatible with all the major building automation systems.

- Designed for temperature sensing in an HVAC and light industrial control applications
- Precision interchangeability eliminates the necessity for individual circuit calibration.
- Omicron is able to produce custom sensors in small volume at standard sensor pricing

There are several sensor element ranges to choose from, which guarantee compatibility with all popular DDC systems. The sensor elements are precision thermistors or platinum RTDs. Field calibration is not generally required. The probe is epoxy sealed to prevent moisture from migrating into the probe. Custom probe lengths, wire types and sensor elements are available for large OEM projects.

⚙️ Specifications:

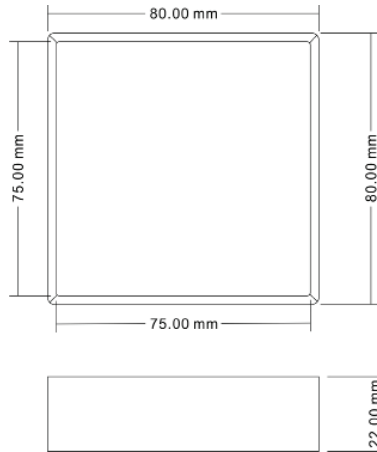
Thermistor Accuracy	:	+/- 0.2°C
Platinum RTD Accuracy	:	+/- 0.4°C
Thermistor Range	:	-70°C to 150°C
Platinum RTD Range	:	-200°C to 300°C
Probe Material	:	Stainless Steel
Cable Properties	:	FT4, 80°C, 600V



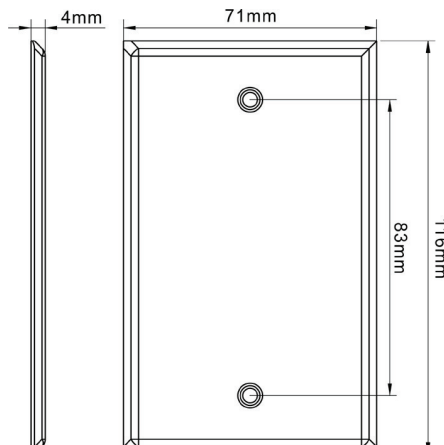
Room Temperature Sensor

Dimension:

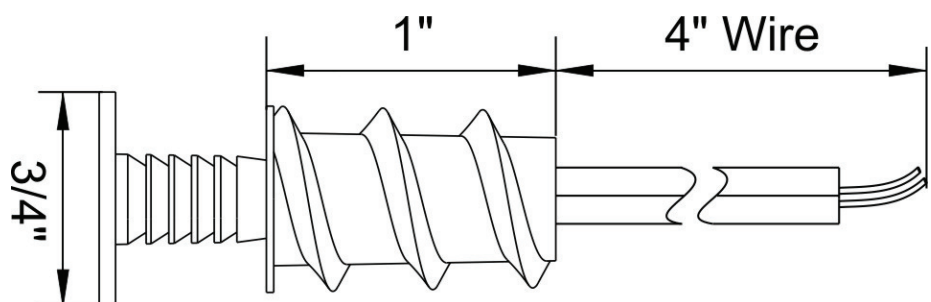
RTS: Room temperature sensor



RTS1: Tamper proof room temperature sensor



RTS3: Flush mounting sensor



Room Temperature Sensor

HOW TO ORDER

⚙️ Description:

RTS

RTS Room Temperature Sensor

RTS1 Tamper proof room temperature sensor

RTS3 Flush mounting sensor

⚙️ TEMPERATURE CURVE:

2	PT-100 3 Wire	5	1.8KΩ Thermistor	6	3kΩ Thermistor	12
7	10KΩ Thermistor,Type 2	9	100KΩ Thermistor	11	LM334 IC SENSOR	
12	PT-1000, 2 Wire	13	Ni-1000,2 Wire	20	20kΩ Thermistor	
21	LM335 IC SENSOR	24	100KΩ Thermistor	30	4 - 20mA, 2 Wire	

*Thermistors,pt elements and probe sizes for all popular control systems are available,send us an email if you don't see what you need online.

Ordering Example: RTS - 12