

LIGHT INTENSITY (LUX) TRANSMITTERS

Key Points:

- Range from 0 to 2000 lux
- 0-10 V active output, power supply 24 Vac/Vdc (3-4 wires) or 4-20 mA output, passive loop, power supply from 16 to 30 Vdc (2 wires)
- ABS V0 IP65 housing, with or without display
- "¼ turn" system mounting with wall-mount plate
- Housing with simplified mounting system



Features:

- Material : ABS V0 as per UL94
- Protection : IP65
- Display : LCD 10 digits. Size : 50 x 17 mm (Optional)
- Height of digits : Values : 10 mm ; Units : 5 mm
- Cable gland : For cables Ø 8 mm maximum
- Weight : 140 g
- Remote probe : cable of 2 m length in PVC

Technical Features:

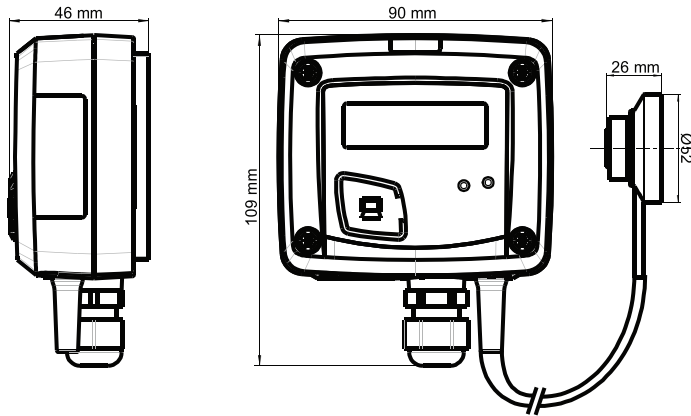
- Units of measurement : Lux / Fc
- Measuring ranges : From 0 to 2000 lux
From 0 to 929 fc
- Accuracy* : 3% of reading
- Resolution : 1 lux
0.1 fc
- Operating temperature : From 0 to +50°C
- Storage temperature : From -10 to +70°C
- Spectral response : As per standard photopic curve V(λ) NF C 42-710 class C
- Error limit V(λ) (f1) : <10 %
- True cosine evaluation (f2) : <6 %
- Linearity (f3) : <3 %

Technical Specification:

- Output / Power supply : active 0-10 V (power supply 24 Vac/Vdc ± 10%), 3-4 wires
passive loop 4-20 mA (power supply 16/30 Vdc), 2 wires
maximal load : 500 Ohms (4-20 mA)
- Consumption : 2 VA (0-10 V) or max. 22 mA (4-20 mA)
- Electromagnetical compatibility : EN61326
- Electrical connection : Screw terminal block for cables Ø0.05 to 2.5 mm²
- PC communication : USB-mini Din cable
- Environment : Air and neutral gases

LIGHT INTENSITY (LUX) TRANSMITTERS

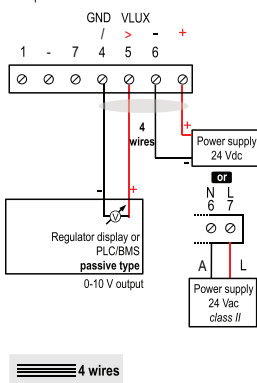
Dimensions



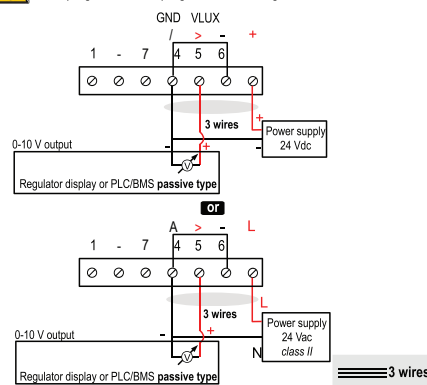
Connections

⚠ This connection must be made by a qualified technician. To make the connection, the transmitter must not be energized.

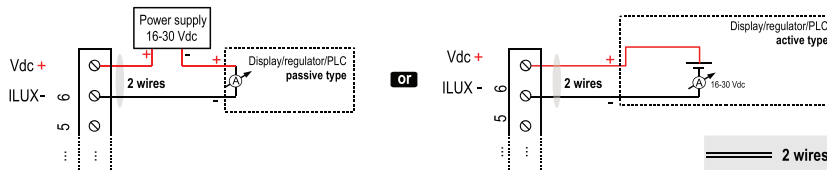
For LR110-A models with 0-10 V output – active :



⚠ To make a 3-wire connection, before powering up the transmitter, please connect the output ground to the input ground. See drawing below.



For L110-P models with 4-20 mA output – passive :



Mounting

To mount the transmitter, mount the ABS plate on the wall (drilling : Ø6 mm, screws and pins are supplied). Insert the transmitter on the fixing plate (see A on the drawing beside). Rotate the housing in clockwise direction until you hear a “click” which confirms that the transmitter is correctly installed.

